

Trolley Washer

TW-S



TROLLEY WASHER

Specifications

Specifications

Dimensions trolley washer :

- Width : 1,250 mm
- Height : 2,280 mm
- Length KS2 : 2,400 mm
- Length KS3 : 3,100 mm
- Length KS4 : 4,200 mm
- Length KS5 : 5,300 mm

Technical Specifications :

- Electrical source : 3 x 400V + 0 + E, 50Hz.
- Electrical consumption : 2.6 kW, 16Amp.
- Pneumatic connection : 0.5", 6 bar
- Water connection : 1"
- Water consumption : 200ltr/min
- Exhaust connection : 160mm
- Steam connection : 1", 6 bar
- Steam consumption : 45kg/hr.
- Drain connection : 4 x 1.5"

Dimensions trolleys:

- Width : 500 - 800mm
- Length : 950mm
- Height : 1,850mm

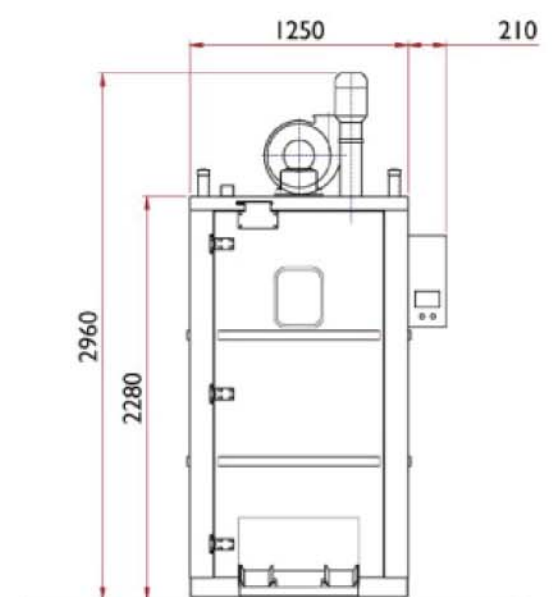
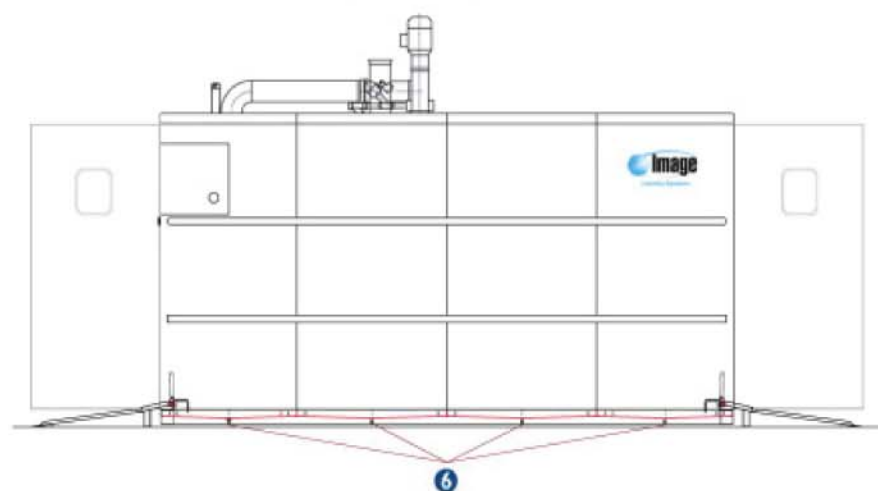
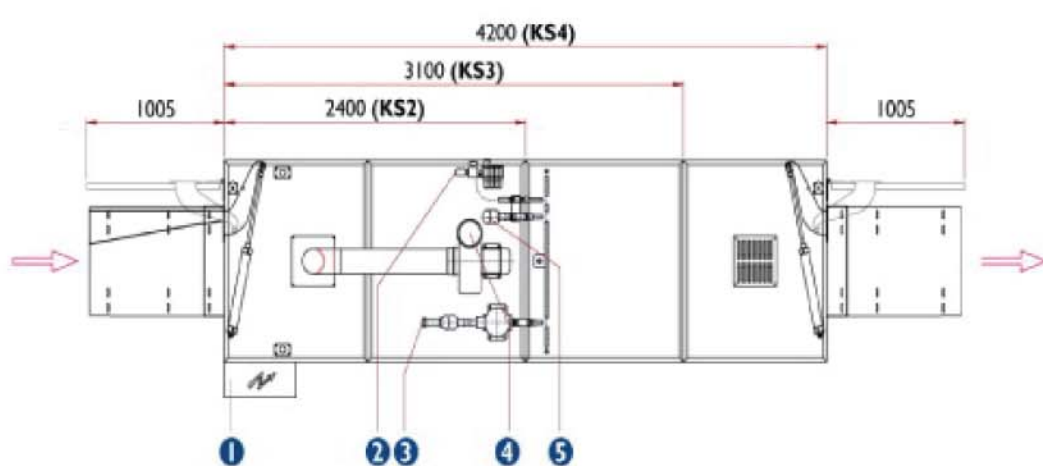
OPTIONAL :

- Water cleaning system by a high pressure waterpump.
- Temperature control system by PT100 inside the trolley washer.
- Extra guiding rails for special trolley dimensions.
- Continuous trolley washers with automatic transportation.

INSTALLATION SERVICE :

- Please contact the factory for more detailed layouts and technical data required for installation and service.

Specification and Design subject to change without notice
Additional options : Consult factory or distributor



ACCURATE TECHNOLOGIES CO.,LTD

Bangkok,Thailand Phone : +66(0)2740-5511 (Auto) Fax : +66(0)2740-5522,2740-5533

www accuratethai.com Email : sales@accuratethai.com